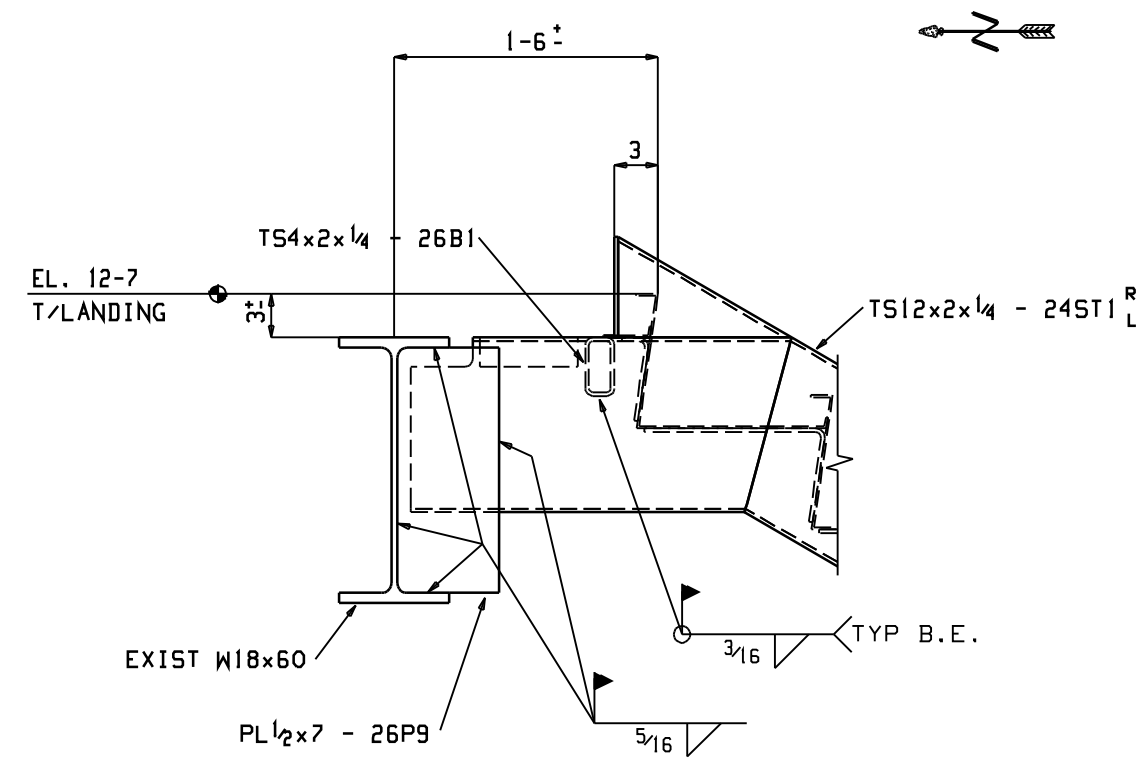
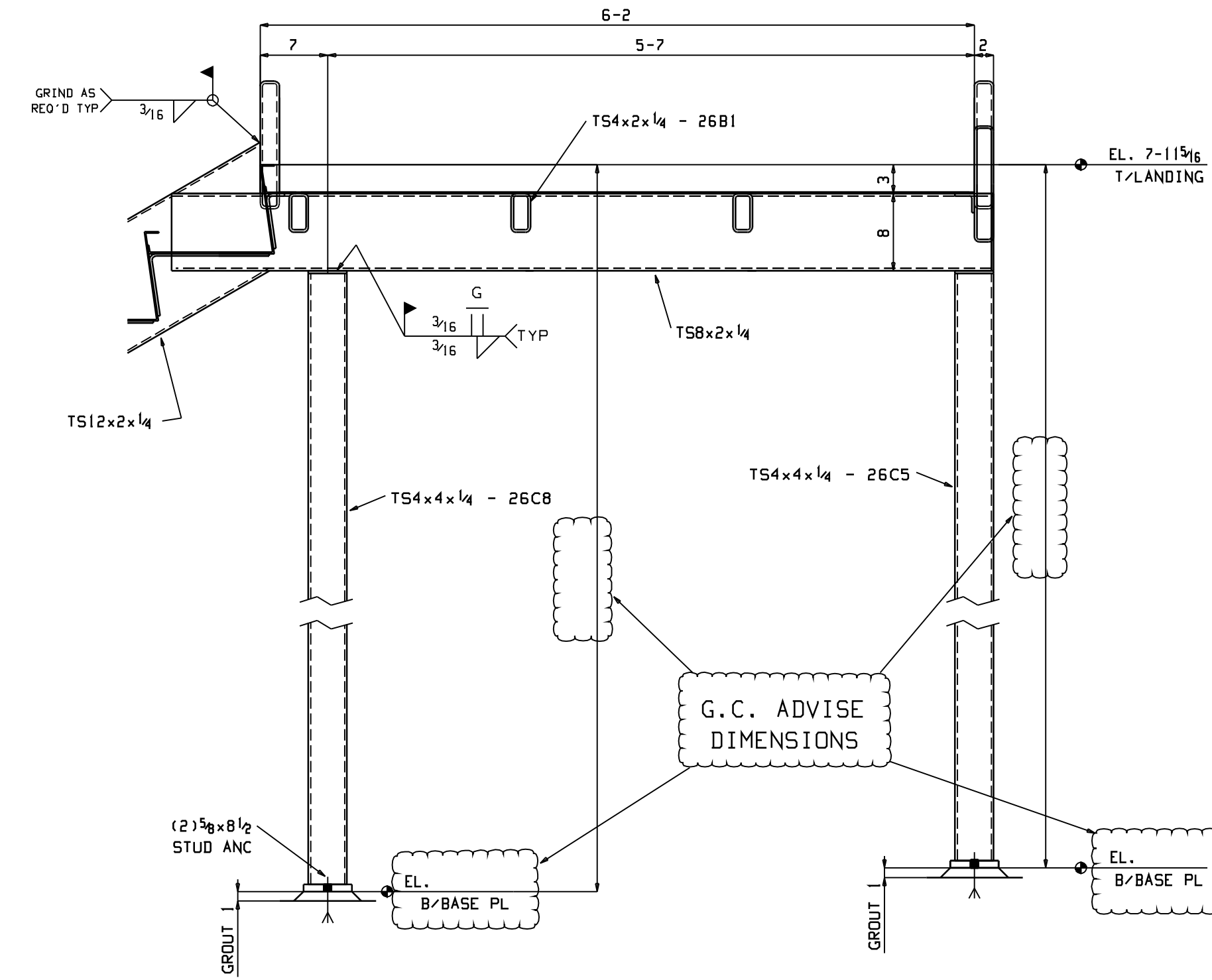


GRAND STAIR FRAMING PLAN

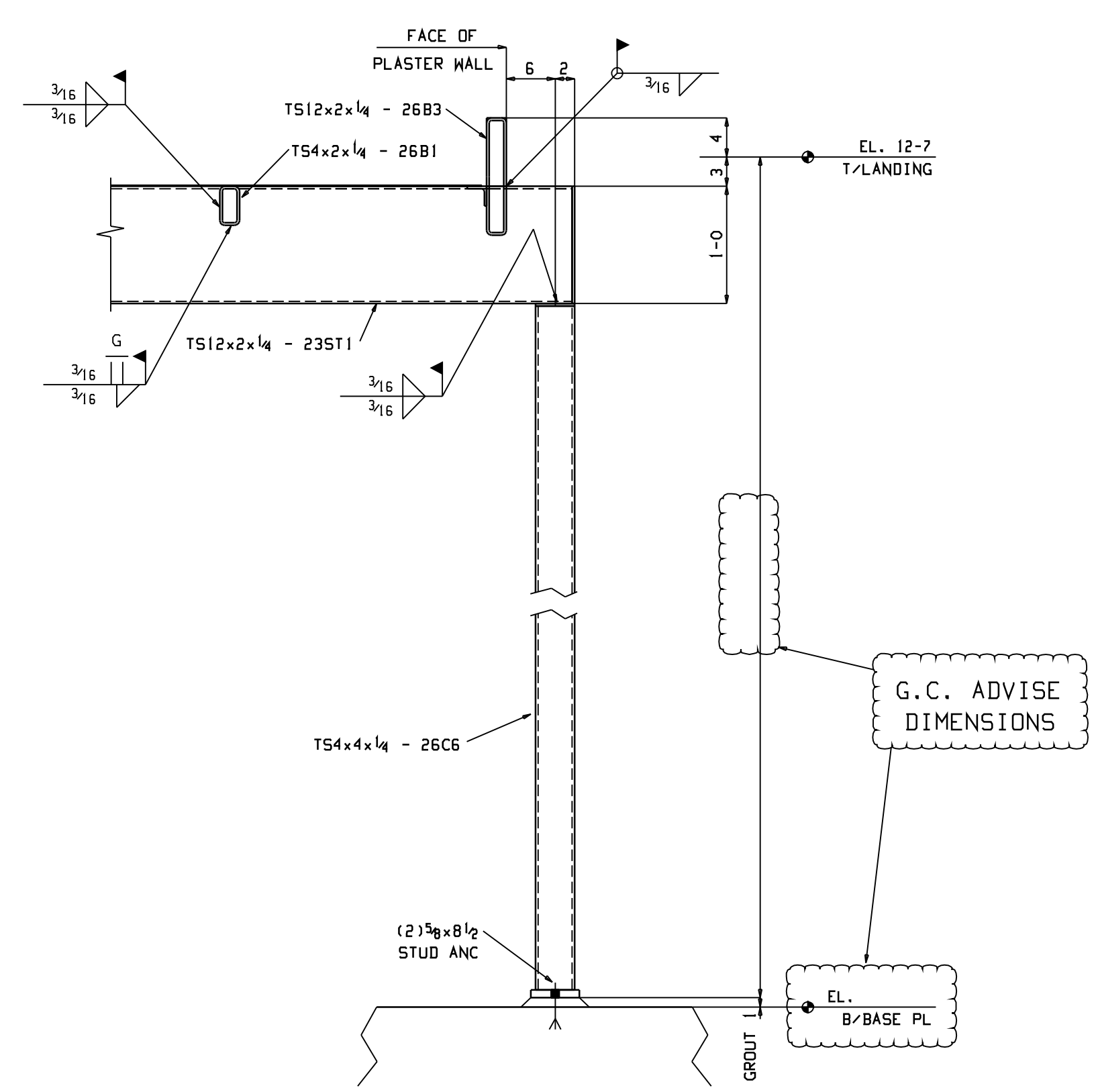
- ALL STRINGERS ARE TS12x2x1/4



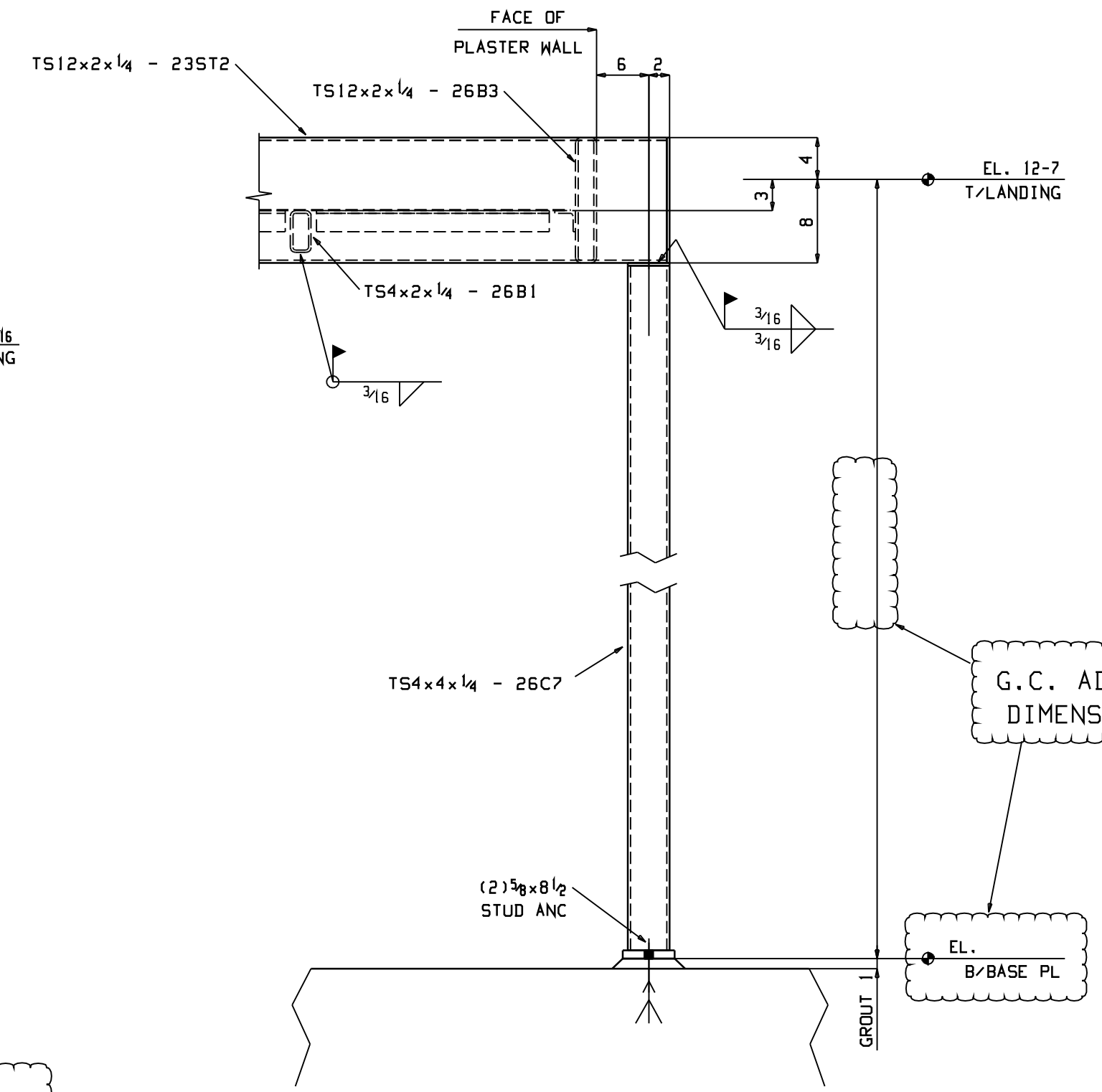
SECTION 1
E5



SECTION 2
E5



SECTION 3
E5

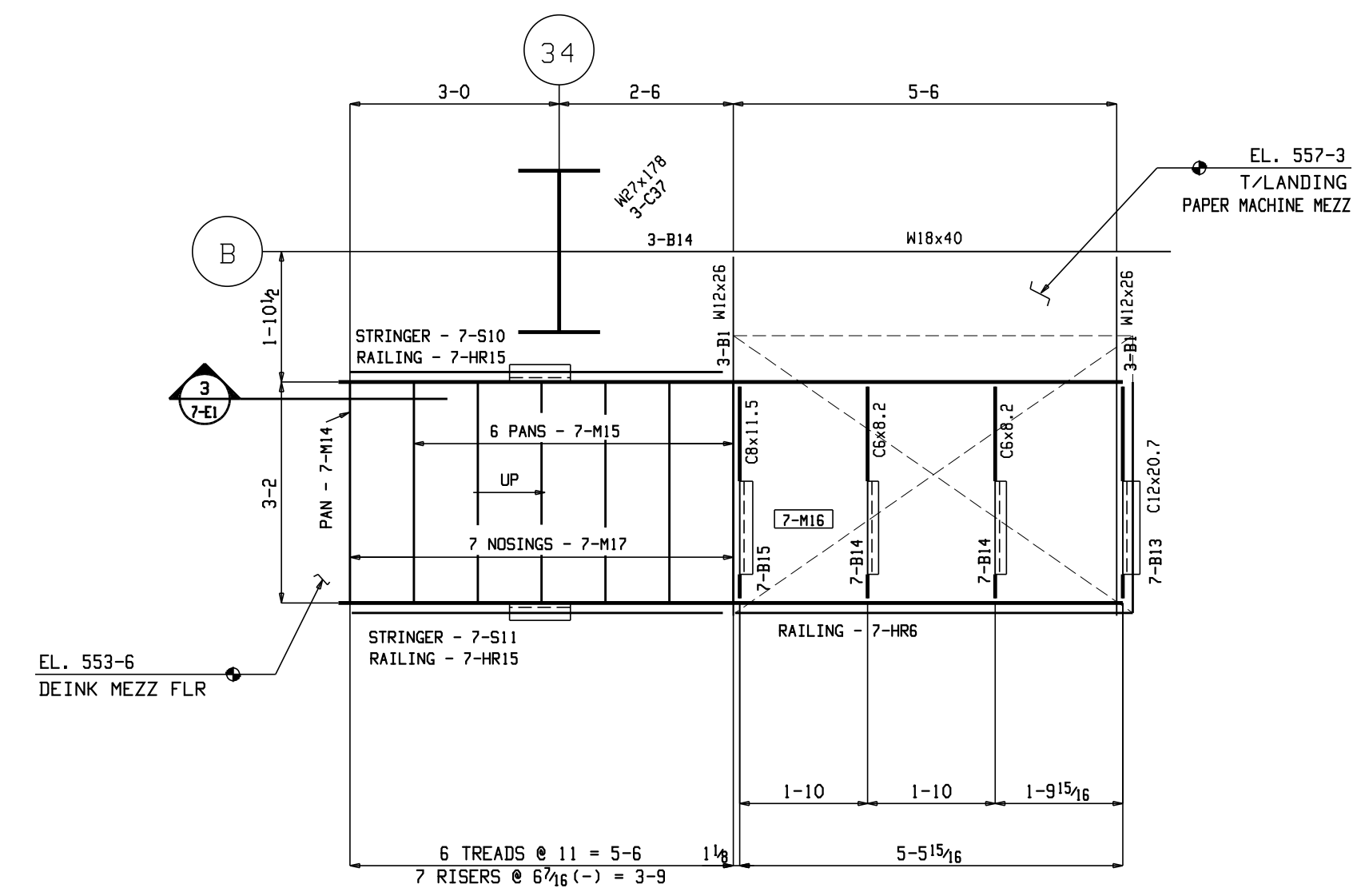
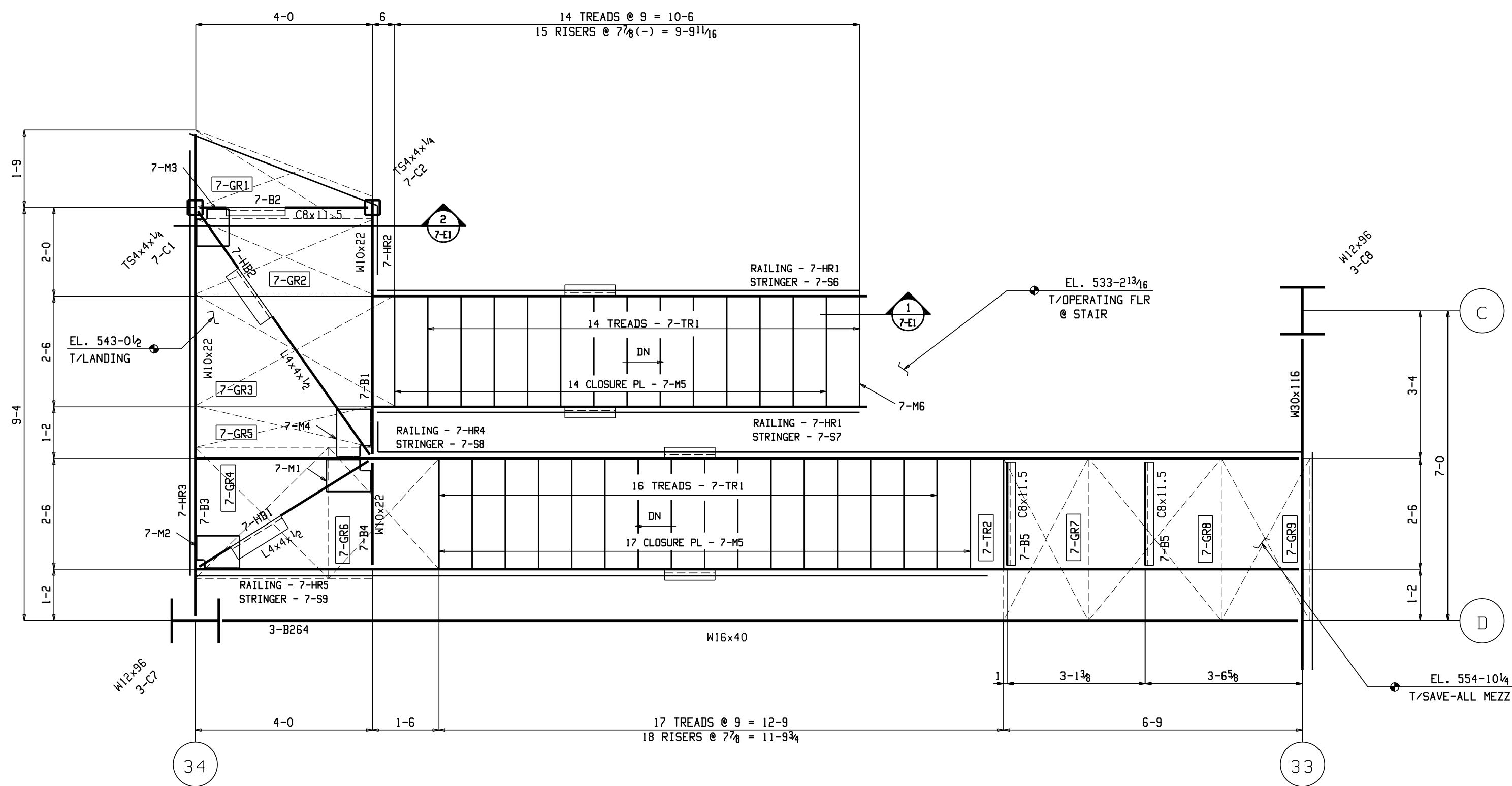


SECTION 4
E5

DRAWING ISSUED FOR		REV NO	DATE	DESCRIPTION	BY
<input type="checkbox"/>	APPROVAL	△			
<input type="checkbox"/>	FABRICATION	△			
<input type="checkbox"/>	FIELD USE	△			

BY	CHKD	APPD	DATE	JOB NUMBER	SHEET NO. E5

REV. NO.	△

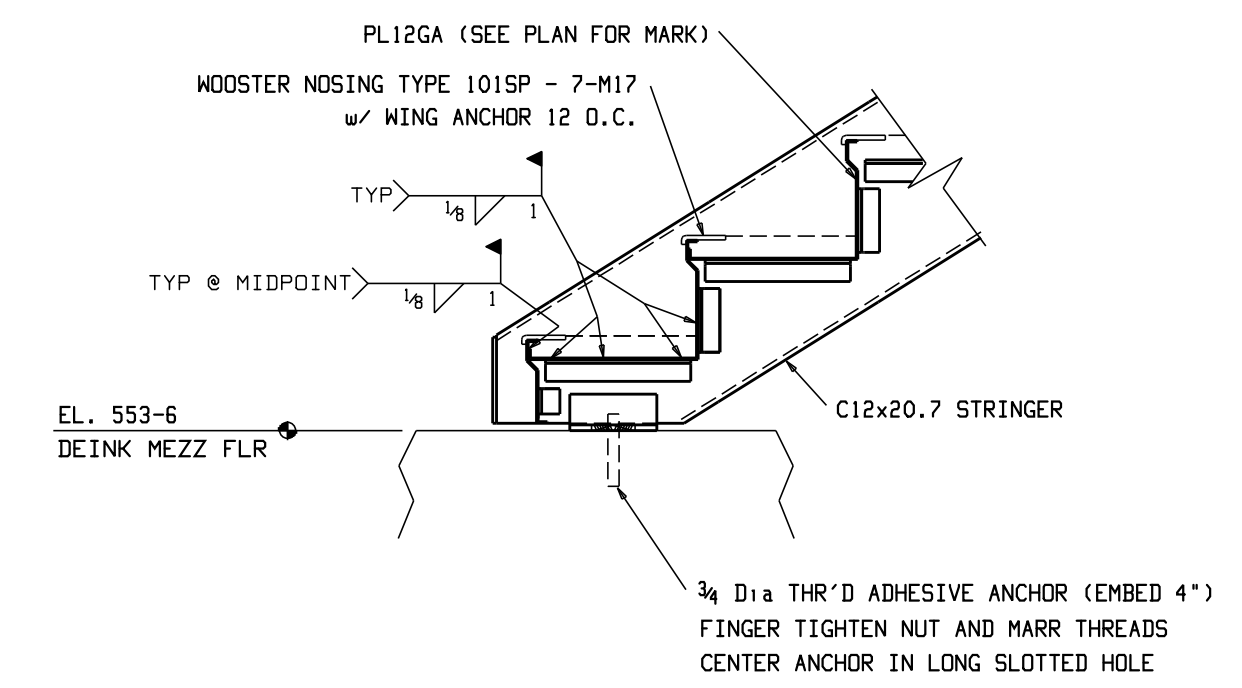
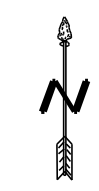


ACCESS STAIR FROM DEINK MEZZANINE TO PAPER MACHINE MEZZANINE

- ALL STRINGER CHANNELS ARE C12x20.7
- REFERENCE KOCKEN DRAWINGS 140-520 & 140-540 FOR ADDITIONAL INFORMATION

STAIR FRAMING PLAN @ SAVE-ALL MEZZANINE

- ALL STRINGER CHANNELS ARE C12x20.7
- REFERENCE KOCKEN DRAWING 140-520 & 140-540 FOR ADDITIONAL INFORMATION

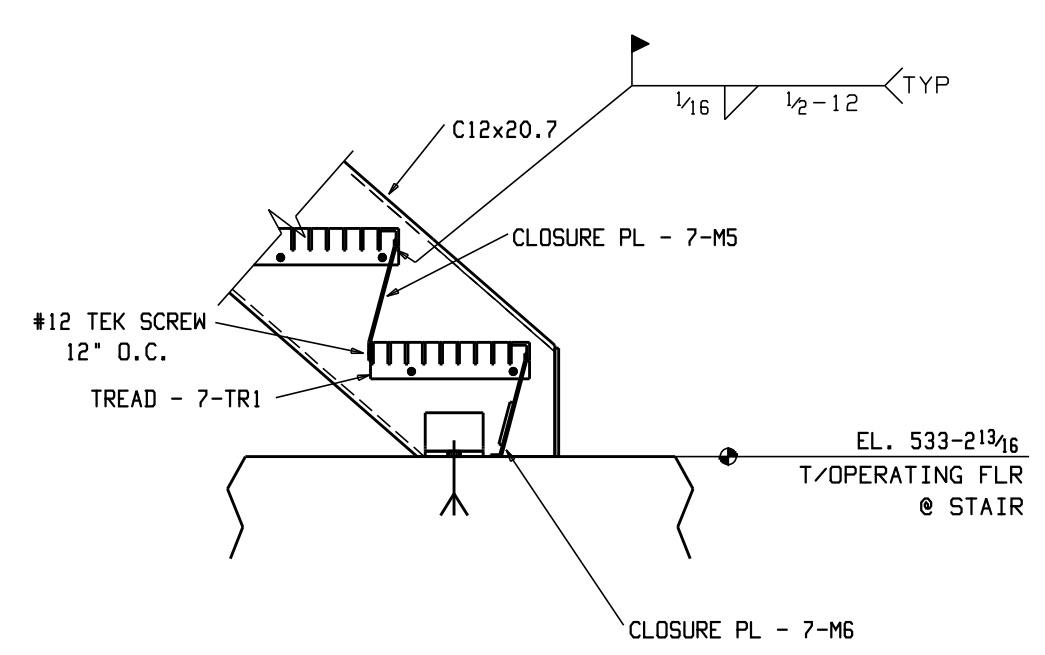


SECTION 3
7-E1

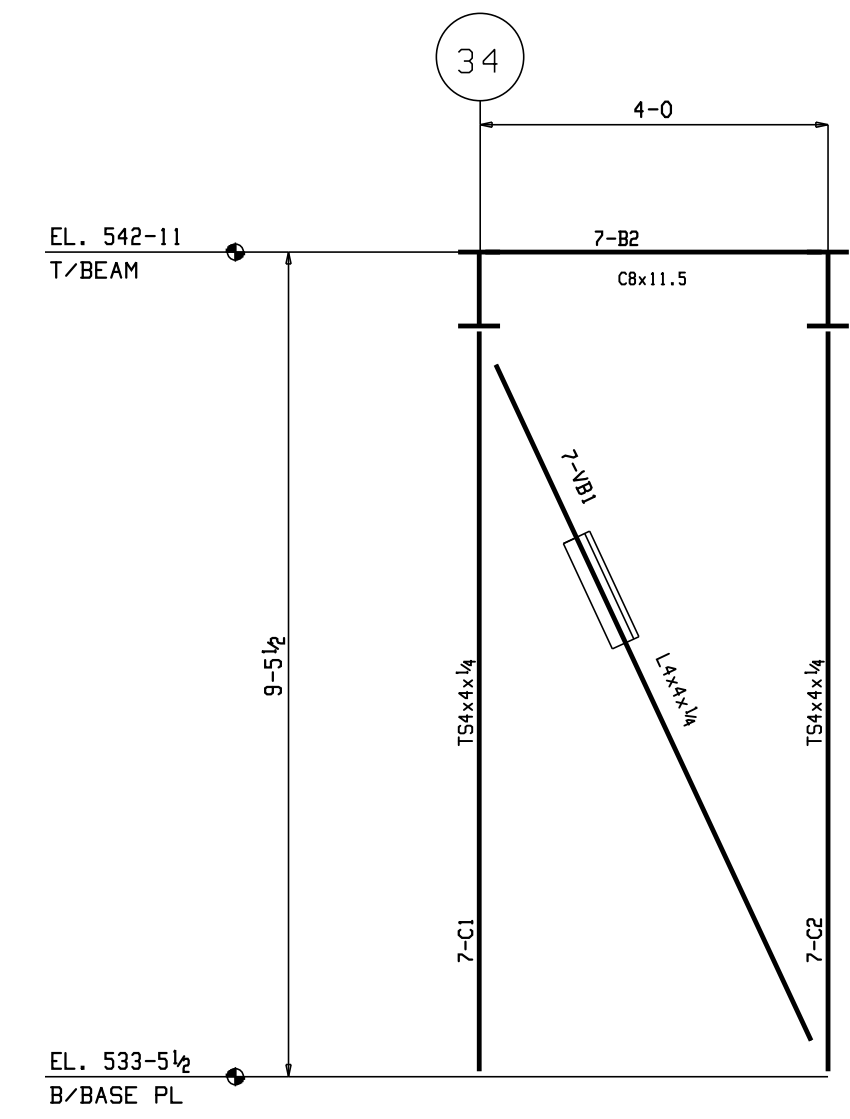
ERECTOR NOTE

FIELD TOUCH UP DAMAGE GALVANIZED SURFACES
IN ACCORDANCE WITH THE SPECIFICATIONS.

NOTICE TO ERECTOR
BACKCHARGES FOR FABRICATION ERRORS WHICH CANNOT BE CORRECTED BY MINOR REAMING, CHIPPING, WELDING OR CUTTING, AS STATED IN SECTION 7.12 OF THE NINTH EDITION AISC MANUAL WILL NOT BE ACCEPTED UNLESS IMMEDIATELY REPORTED TO WITH A FIRM ESTIMATE OF THE COST FOR EACH FIELD FIX.



SECTION 1
7-E1



SECTION 2
7-E1

DRAWINGS ARE SUBMITTED FOR APPROVAL IN ACCORDANCE WITH AISC MANUAL NINTH EDITION - PAGE 5-229 PARAGRAPH 4.2 AND PAGE 5-250 SECTION 4.					REV. DATE DESCRIPTION BY TO APP'L TO SHOP TO FIELD △ △ △ ISSUED FOR FABRICATION & FIELD USE POI △ ISSUED FOR APPROVAL POI	DWG. NO. 7-E1 JOB. NO.
REVISION & DISTRIBUTION BOX						
DRAWN BY: DATE: CHK'D BY: DATE:						

Mar 22 2004 08:37:32 AM

